

Three Rivers Heritage Trail

Drawings for quoting

Friends of the Riverfront
33 Terminal Way
Pittsburgh, PA 15219

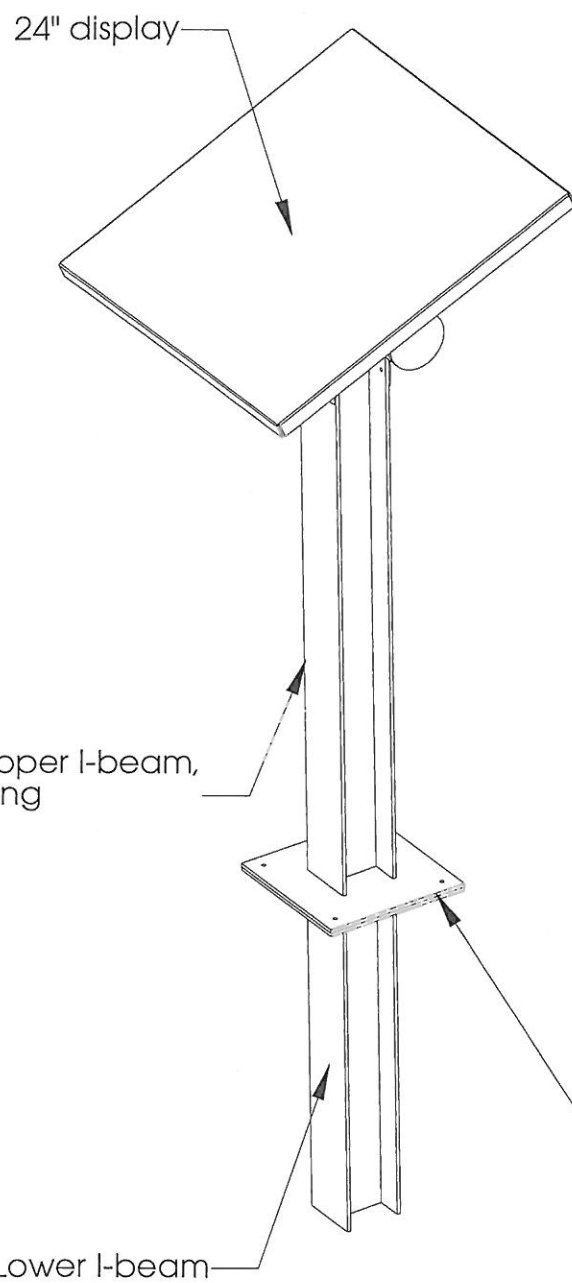


Trails
Three Rivers Heritage Trail
Drawings for Quoting

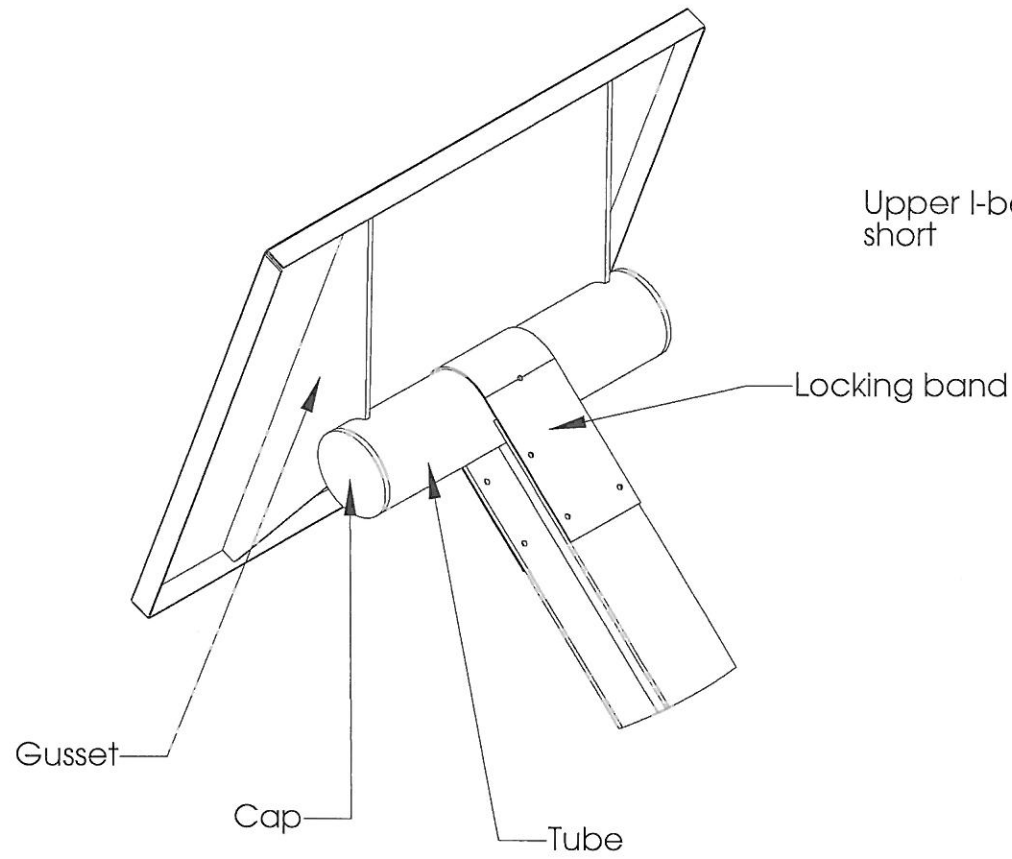
Bally Design Inc.

424 North Craig Street
Pittsburgh PA 15213

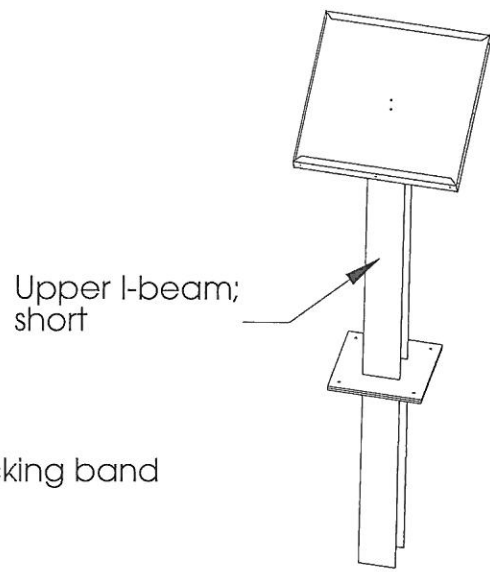
tel. 412-621 9009
fax. 412-621 9030



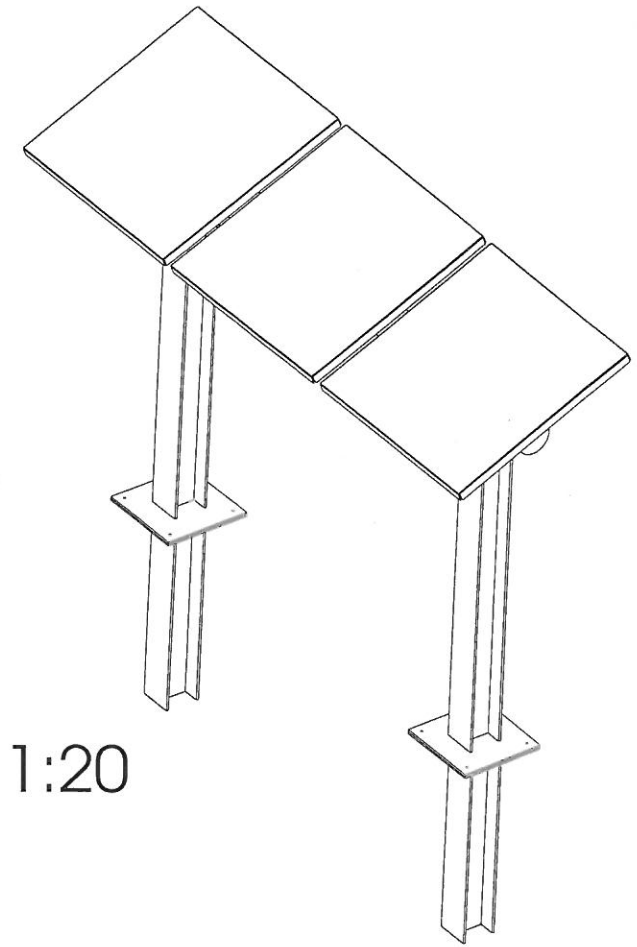
SCALE 1:12



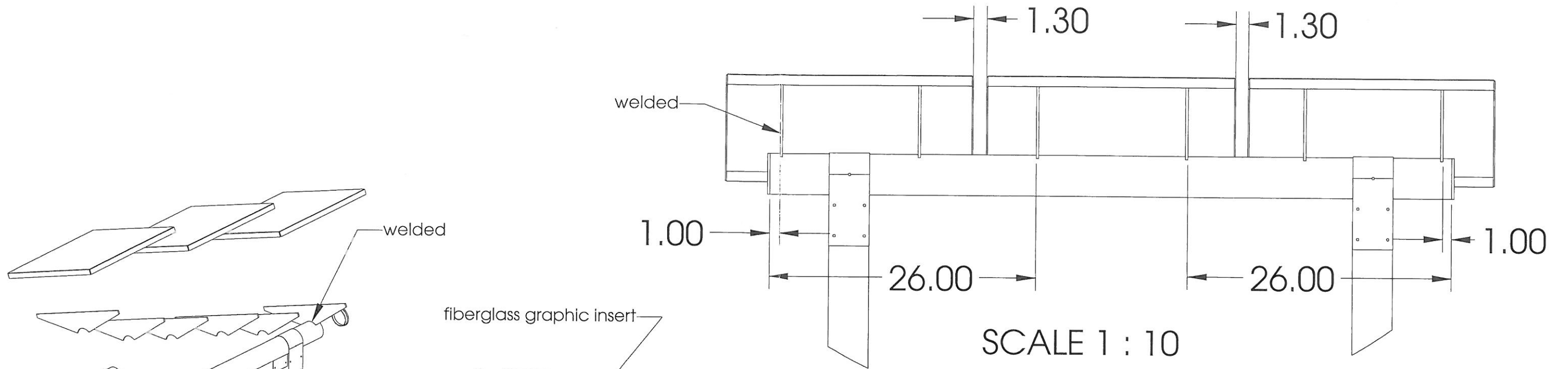
SCALE 1 : 8



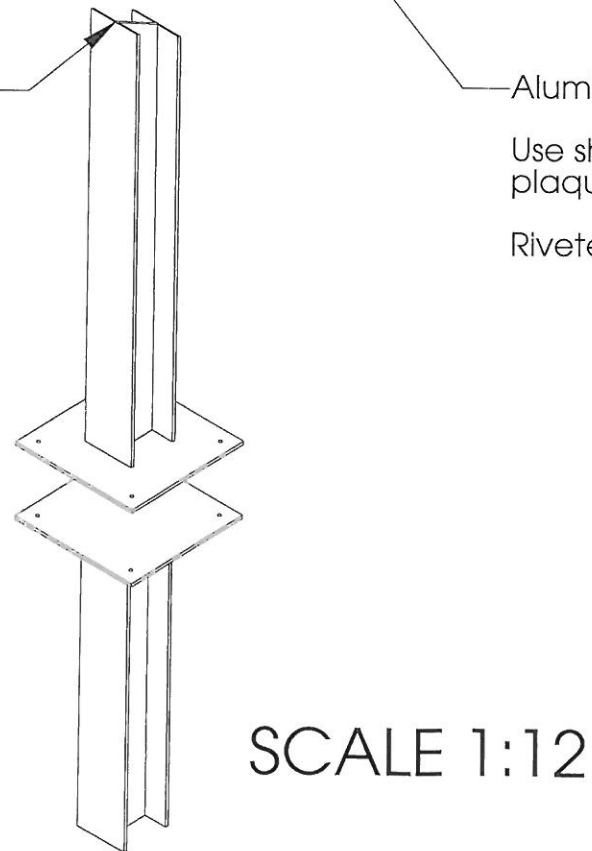
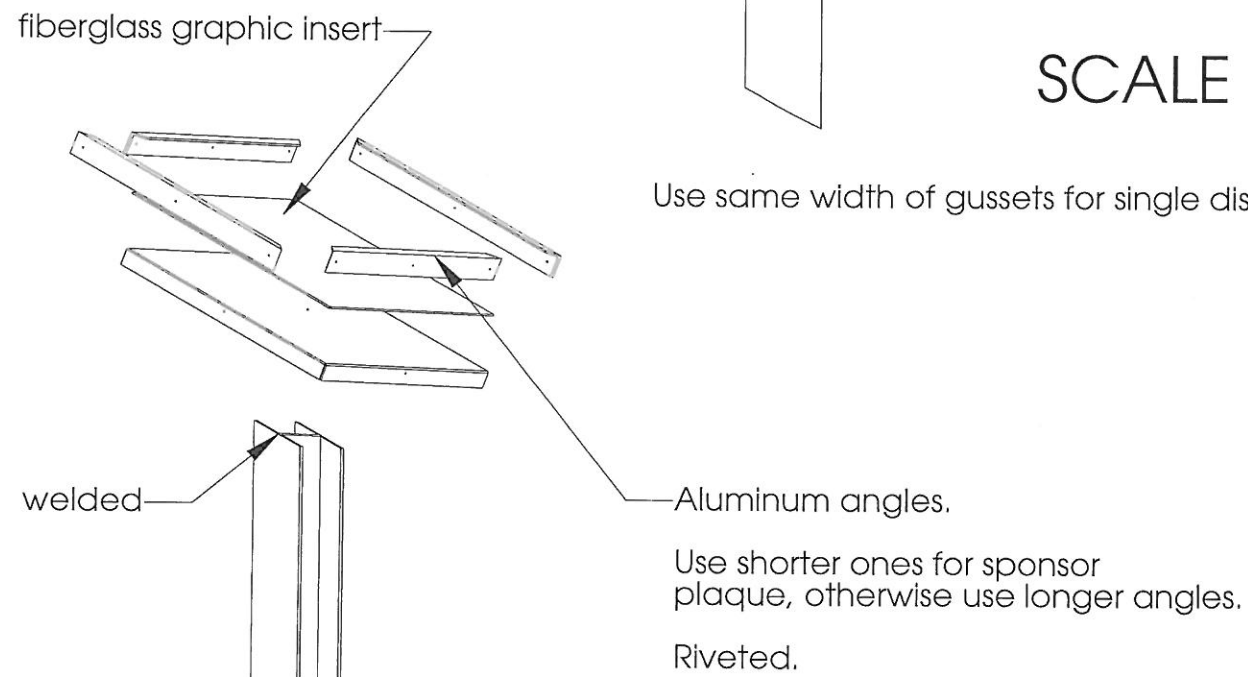
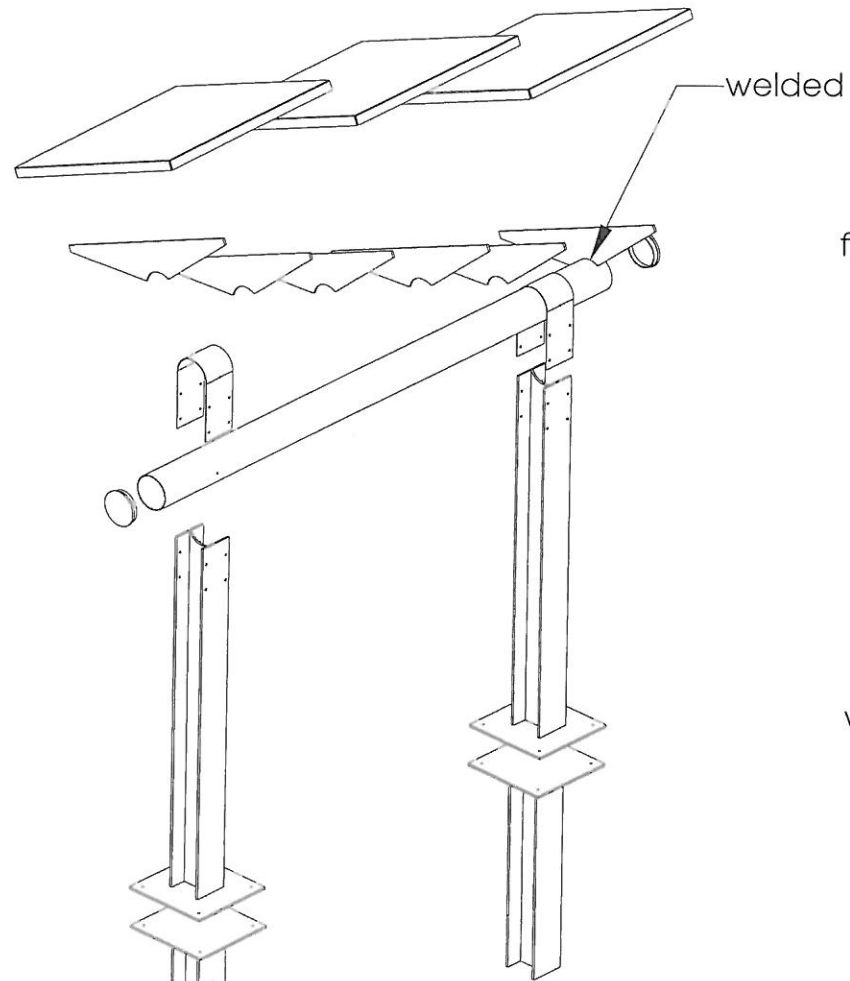
SCALE 1:20



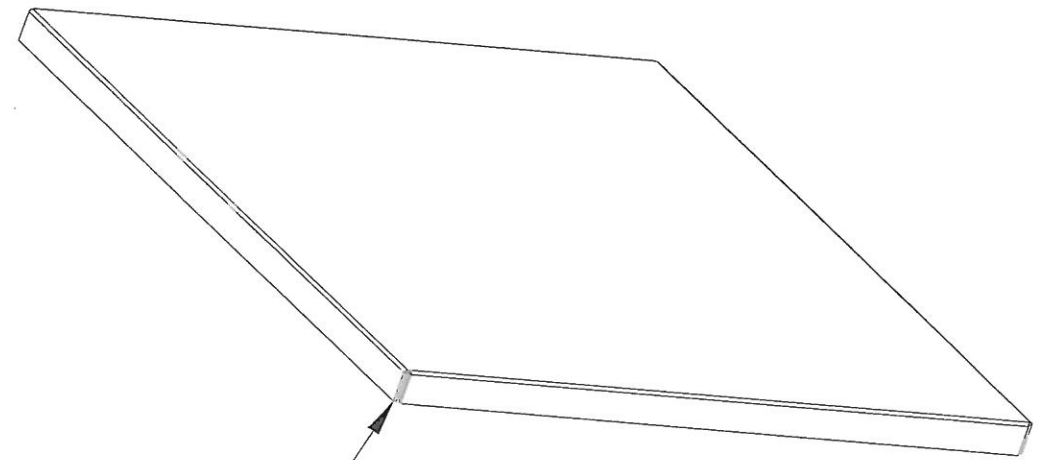
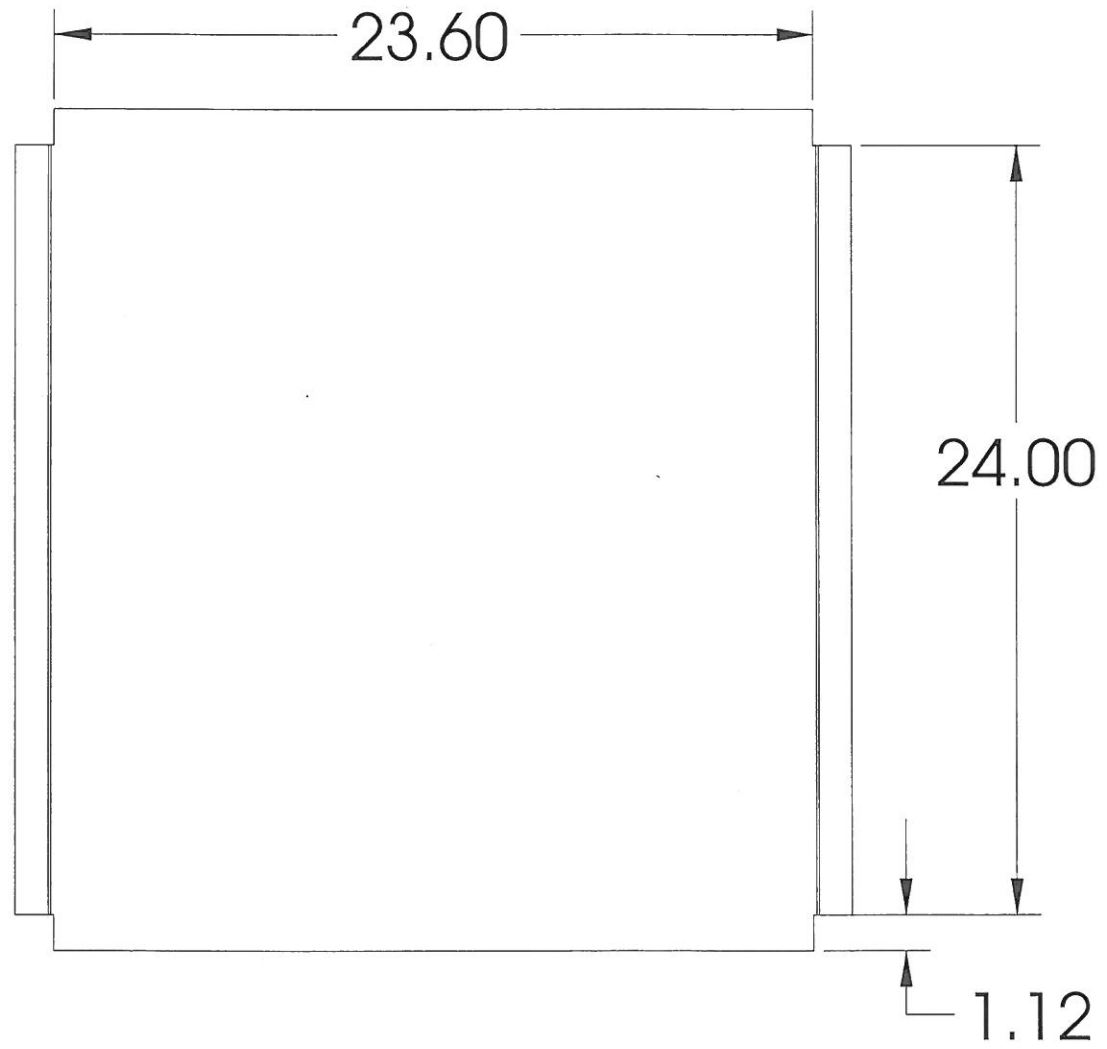
UNLESS OTHERWISE SPECIFIED DIMENSIONS ARE IN INCHES TOLERANCES ARE:		CAD GENERATED DRAWING. DO NOT MANUALLY UPDATE		Bally Design Inc. 424 North Craig Street Pittsburgh PA 15213		tel. 412-621 9009 fax. 412-621 9030
FRACTIONS	DECIMALS	ANGLES	APPROVALS	DATE	Assembly views	
±	.XX± .XX	+ .1	DRAWN			
	.XXX±.XXX		CHECKED			
MATERIAL	steel		RESP ENG			
FINISH	galvanized		MFG ENG		SIZE B	DWG. NO.
DO NOT SCALE DRAWING			QUAL ENG		SCALE	CAD FILE:
						REV.
						SHEET 1 OF 1



Use same width of gussets for single display model.



UNLESS OTHERWISE SPECIFIED DIMENSIONS ARE IN INCHES TOLERANCES ARE:		CAD GENERATED DRAWING. DO NOT MANUALLY UPDATE		Bally Design Inc. 424 North Craig Street Pittsburgh PA 15213		tel. 412-621 9009 fax. 412-621 9030
FRACTIONS	DECIMALS	ANGLES	APPROVALS	DATE	Assembly view	
±	.XX ± .XX	+/- 1	DRAWN			
	.XXX ± .XXX		CHECKED			
MATERIAL	steel	RESP ENG				
FINISH	galvanized	MFG ENG			SIZE	DWG. NO.
DO NOT SCALE DRAWING		QUAL ENG			B	
				SCALE 1:8	CAD FILE: Contact Bally Design.	SHEET 1 OF 1

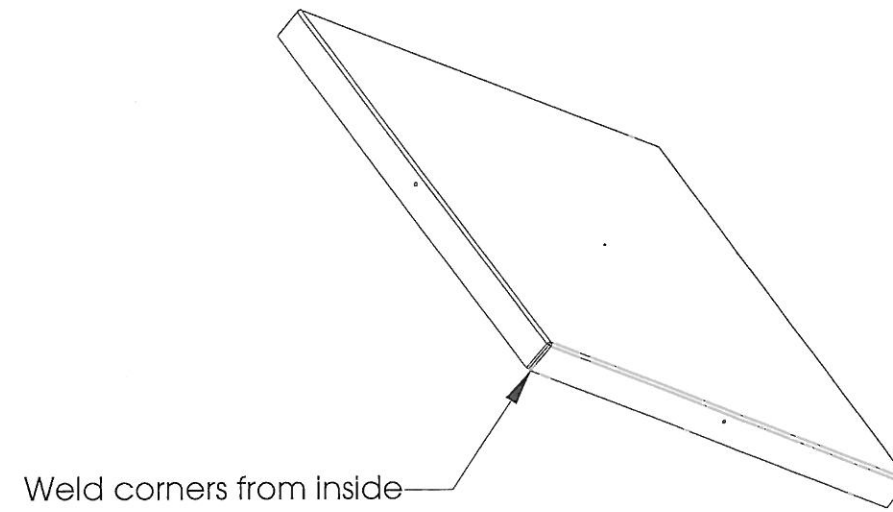
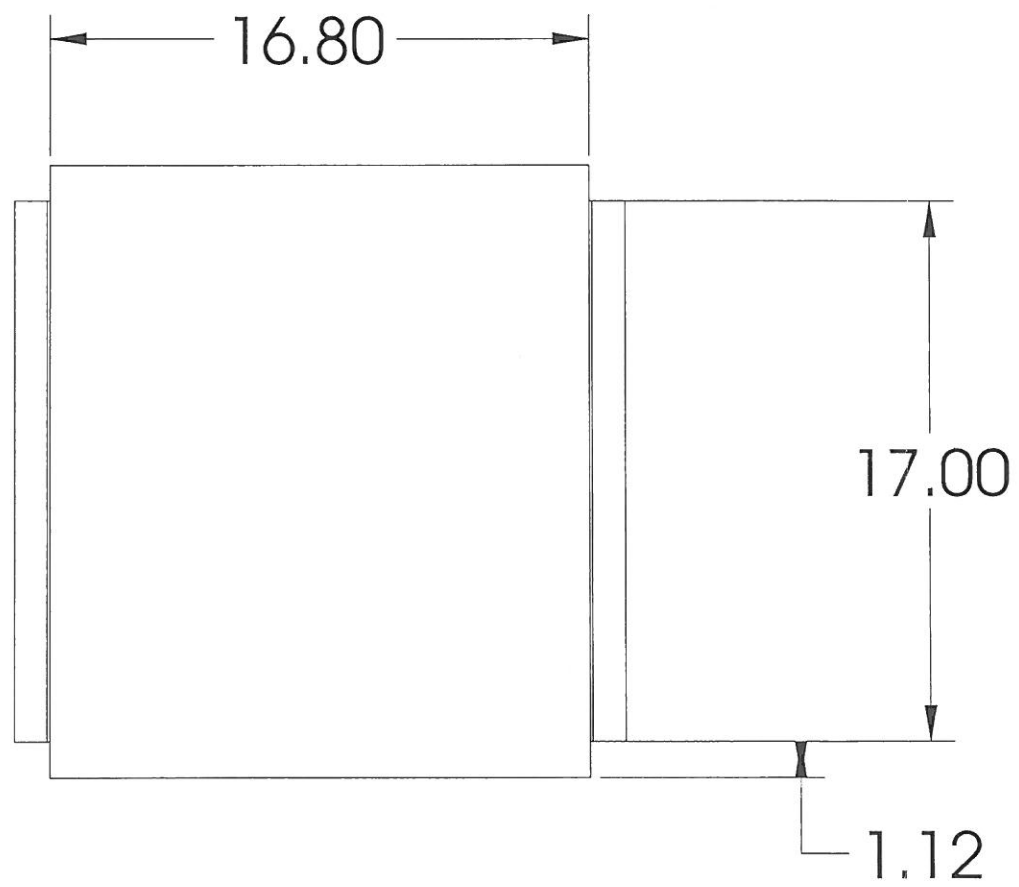


Weld all corners from inside

SCALE 1:6

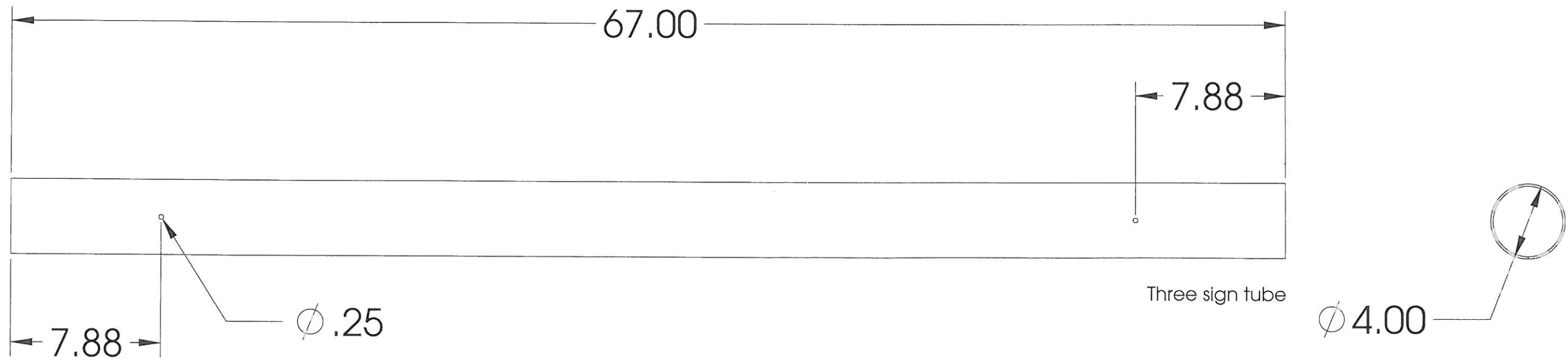
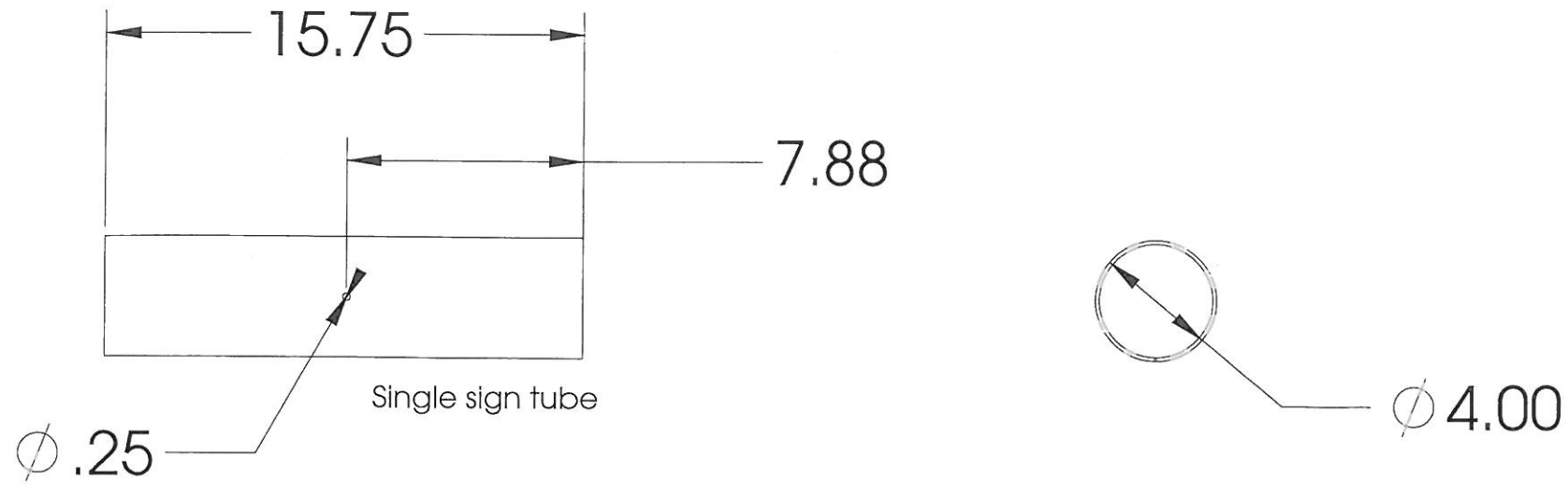
UNLESS OTHERWISE SPECIFIED DIMENSIONS ARE IN INCHES TOLERANCES ARE:	CAD GENERATED DRAWING. DO NOT MANUALLY UPDATE		Bally Design Inc.	
			424 North Craig Street Pittsburgh PA 15213	tel. 412-621 9009 fax. 412-621 9030
FRACTIONS	DECIMALS	ANGLES	APPROVALS	DATE
±	.XX± .XX	+ .1	DRAWN	
	.XXX±.XXX		CHECKED	
MATERIAL	12 gage sheet steel		RESP ENG	
FINISH	galvanized		MFG ENG	
DO NOT SCALE DRAWING			QUAL ENG	
			SIZE	DWG. NO.
			B	
			SCALE	CAD FILE:
			SHEET 1 OF 1	

24" display



SCALE 1:6

UNLESS OTHERWISE SPECIFIED DIMENSIONS ARE IN INCHES TOLERANCES ARE: FRACTIONS DECIMALS ANGLES ± .XX± .XX ± 1 .XXX±.XXX	CAD GENERATED DRAWING. DO NOT MANUALLY UPDATE		Bally Design Inc. 424 North Craig Street Pittsburgh PA 15213		tel. 412-621 9009 fax. 412-621 9030
	APPROVALS	DATE	17" display		
DRAWN					
CHECKED					
RESP ENG					
MATERIAL 12 gage sheet steel	FINISH galvanized	MFG ENG	QUAL ENG	SIZE B	DWG. NO.
DO NOT SCALE DRAWING				SCALE	CAD FILE:
					REV.
					SHEET 1 OF 1



SCALE 1:6

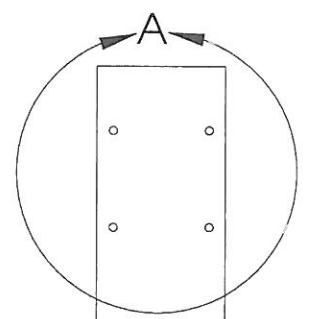
UNLESS OTHERWISE SPECIFIED DIMENSIONS ARE IN INCHES TOLERANCES ARE: FRACTIONS DECIMALS ANGLES \pm .XX ± .XX +_ 1 .XXX ± .XXX	CAD GENERATED DRAWING. DO NOT MANUALLY UPDATE		Bally Design Inc. 424 North Craig Street Pittsburgh PA 15213		tel. 412-621 9009 fax. 412-621 9030
	APPROVALS	DATE	Top tubes		
DRAWN					
CHECKED					
RESP ENG					
MATERIAL	MFG ENG	SIZE	DWG. NO.	REV.	
FINISH	QUAL ENG	B			
DO NOT SCALE DRAWING		SCALE	CAD FILE:	SHEET 1	OF 1

M4*13 I-beam

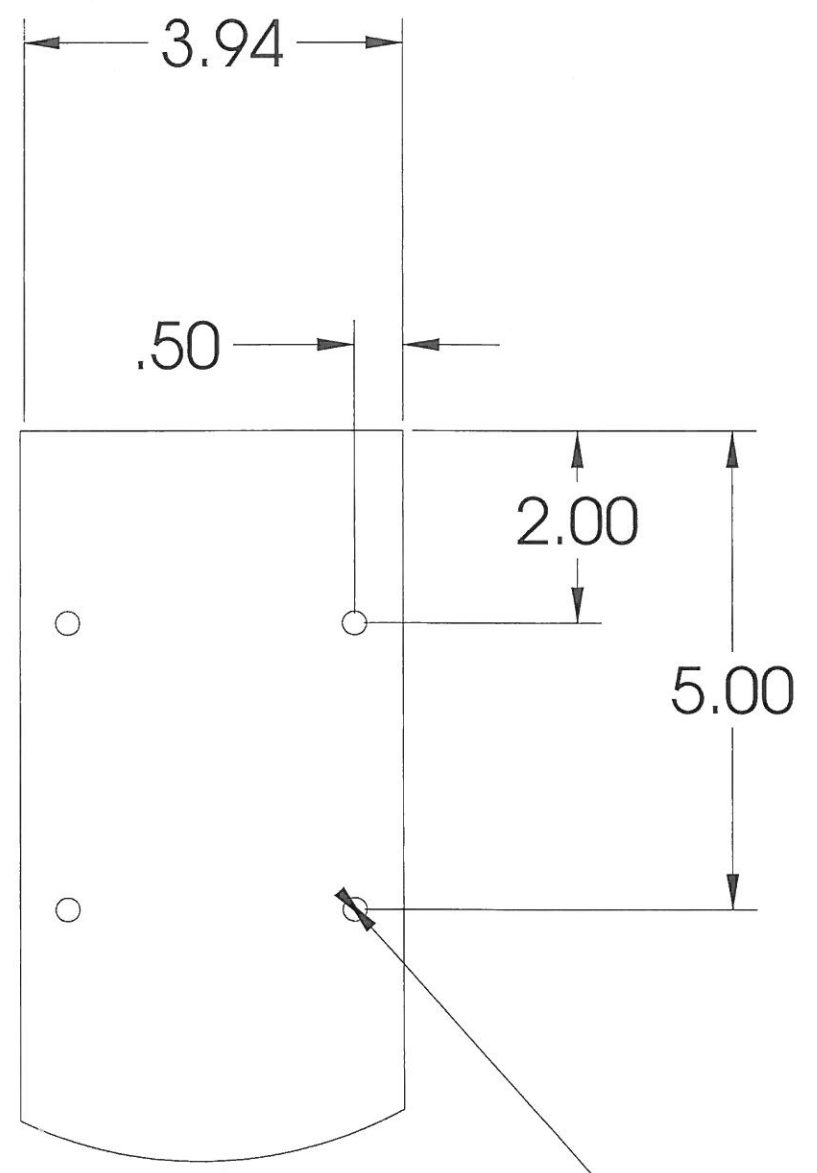
R2.00

42.00

.25



Always weld the I-beam to the base plate

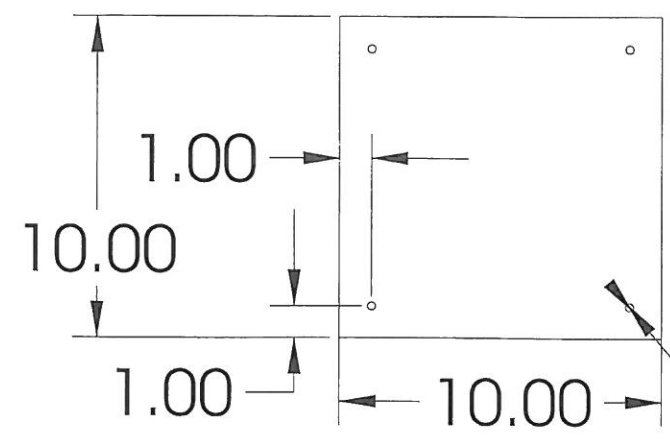


DETAIL A
SCALE 1 : 2

∅ .25

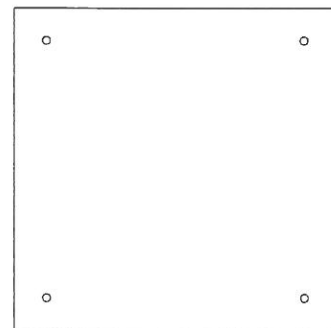
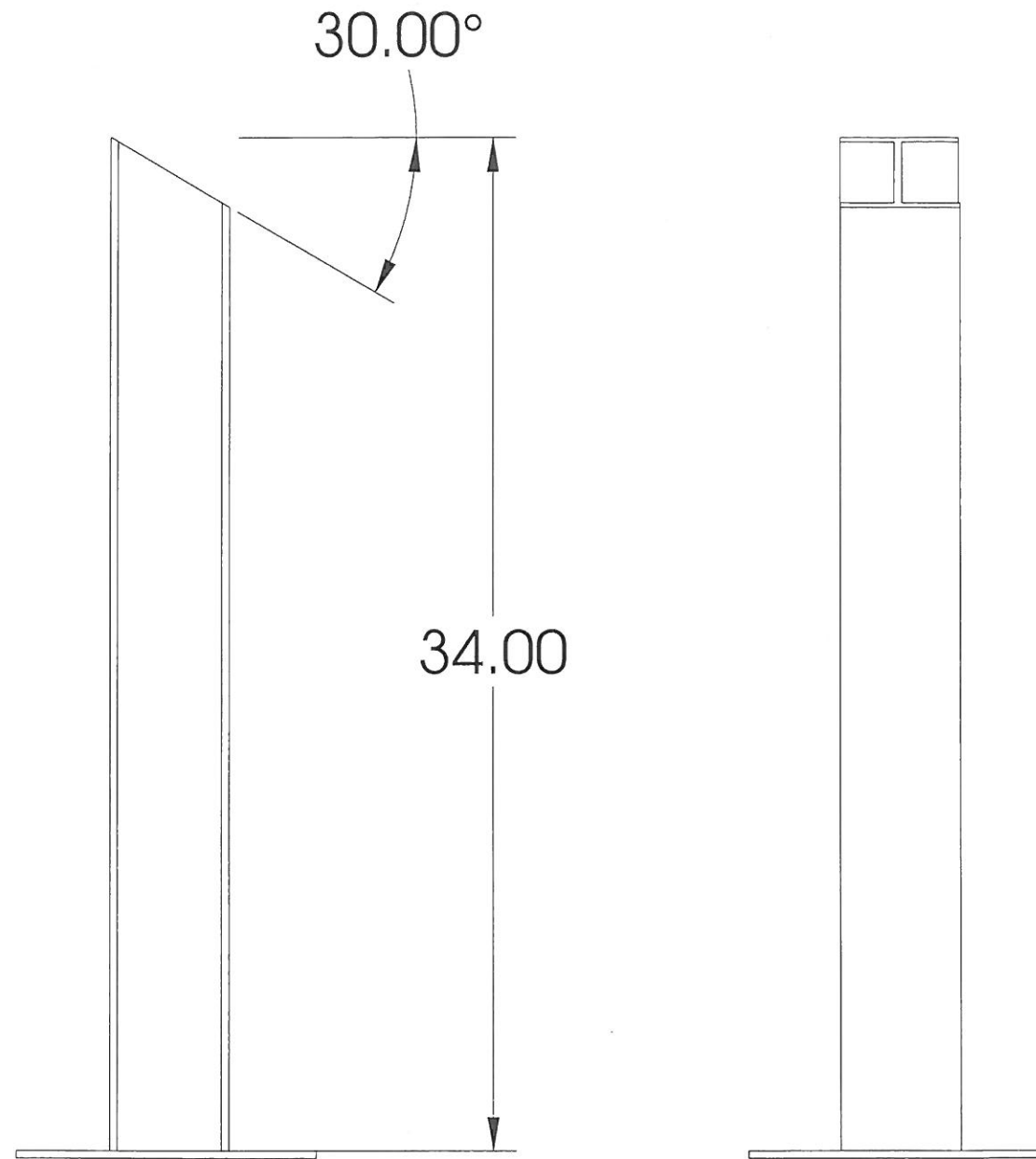
Baseplate is same for every I-beam

SCALE 1:6



UNLESS OTHERWISE SPECIFIED DIMENSIONS ARE IN INCHES TOLERANCES ARE:		CAD GENERATED DRAWING, DO NOT MANUALLY UPDATE		Bally Design Inc. 424 North Craig Street Pittsburgh PA 15213		tel. 412-621 9009 fax. 412-621 9030
FRACTIONS DECIMALS ANGLES		APPROVALS		DATE		Upper I-beam, long
± .XX± .XX +_ 1 .XXX±.XXX		DRAWN				
MATERIAL M4*13 I-beam 1/4" thick steel		CHECKED				
FINISH galvanized		RESP ENG				
DO NOT SCALE DRAWING		MFG ENG				SIZE DWG. NO. REV.
		QUAL ENG				SCALE CAD FILE: SHEET 1 OF 1

M4*13 I-beam



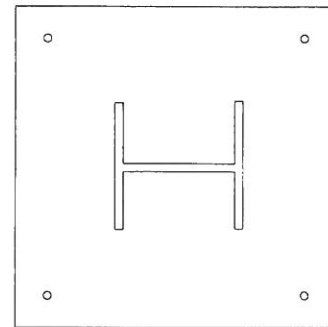
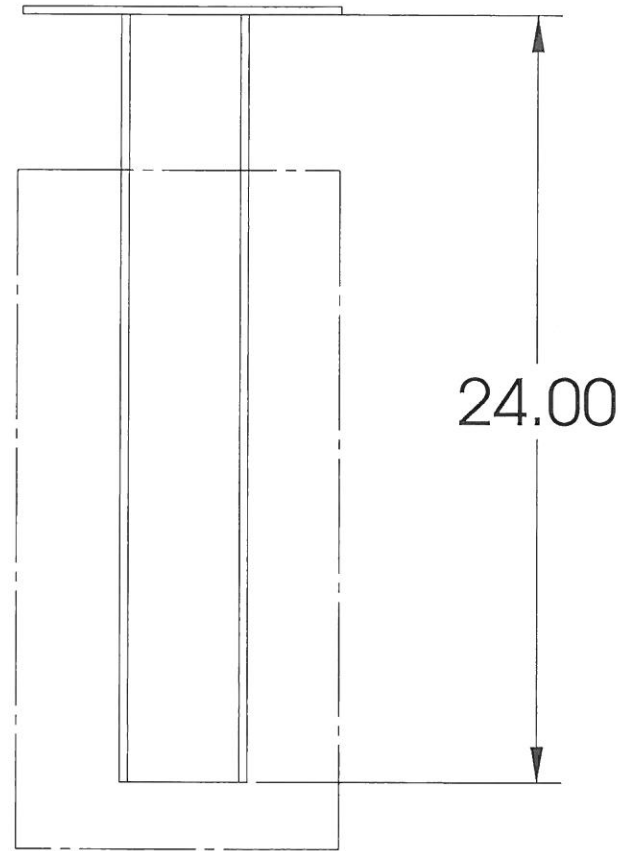
SCALE 1:6

UNLESS OTHERWISE SPECIFIED DIMENSIONS ARE IN INCHES TOLERANCES ARE:	CAD GENERATED DRAWING. DO NOT MANUALLY UPDATE		Bally Design Inc. 424 North Craig Street Pittsburgh PA 15213		tel. 412-621 9007 fax. 412-621 9030
	FRACTIONS	DECIMALS	ANGLES	APPROVALS	DATE
±	.XX± .XX .XXX±.XXX	+ .1	DRAWN		
MATERIAL	M4*13 I-beam 1/4" thick steel		CHECKED		
FINISH	galvanized		RESP ENG		
DO NOT SCALE DRAWING			MFG ENG		
			QUAL ENG		
SIZE B			DWG. NO.		REV.
SCALE			CAD FILE		SHEET 1 OF 1

upper I-beam,
short

M4*13 I-beam

Lower I-beam is being cast into concrete block. Make sure you left enough space to remove bolts and nuts if necessary.

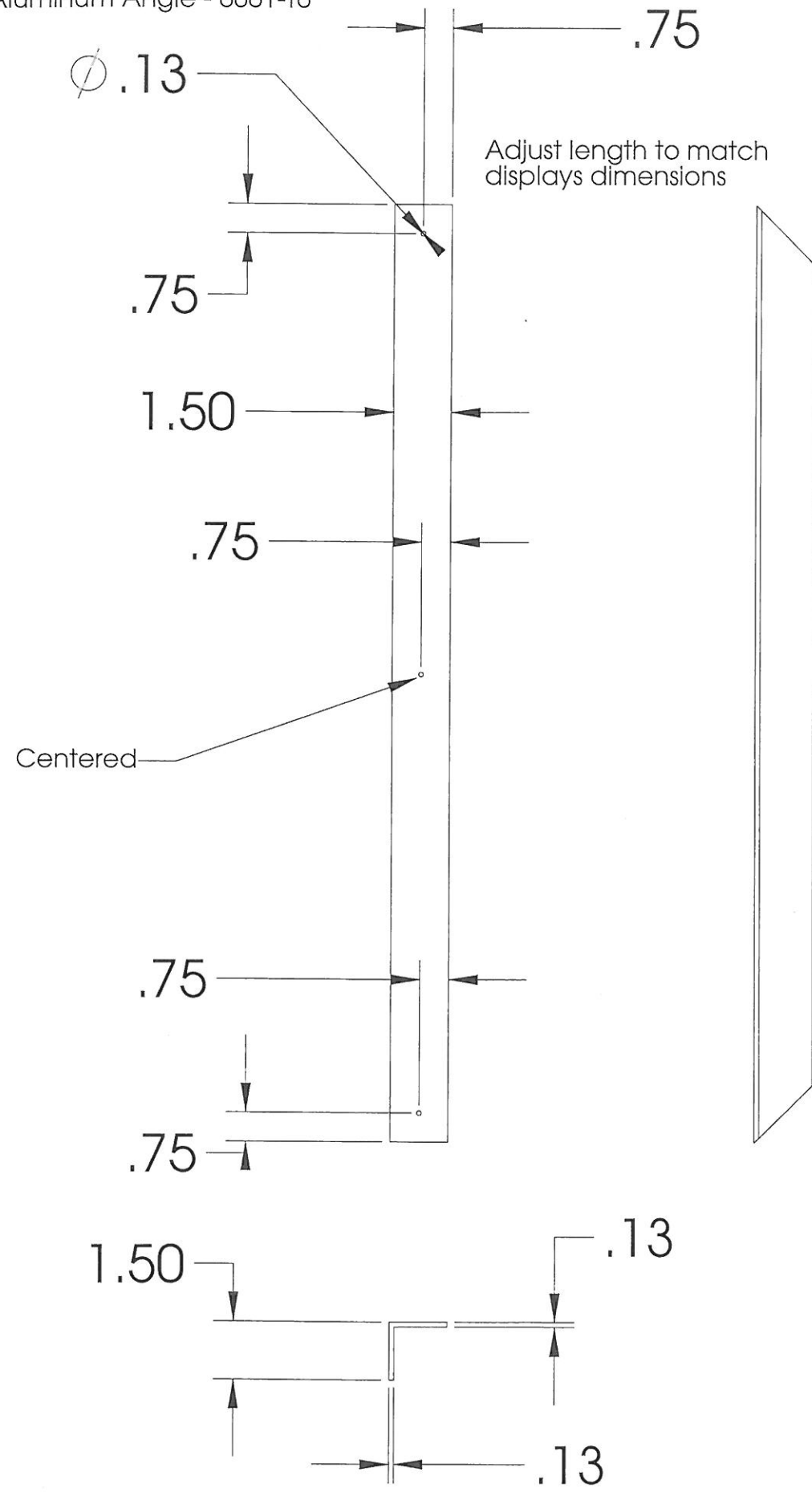


SCALE 1:6

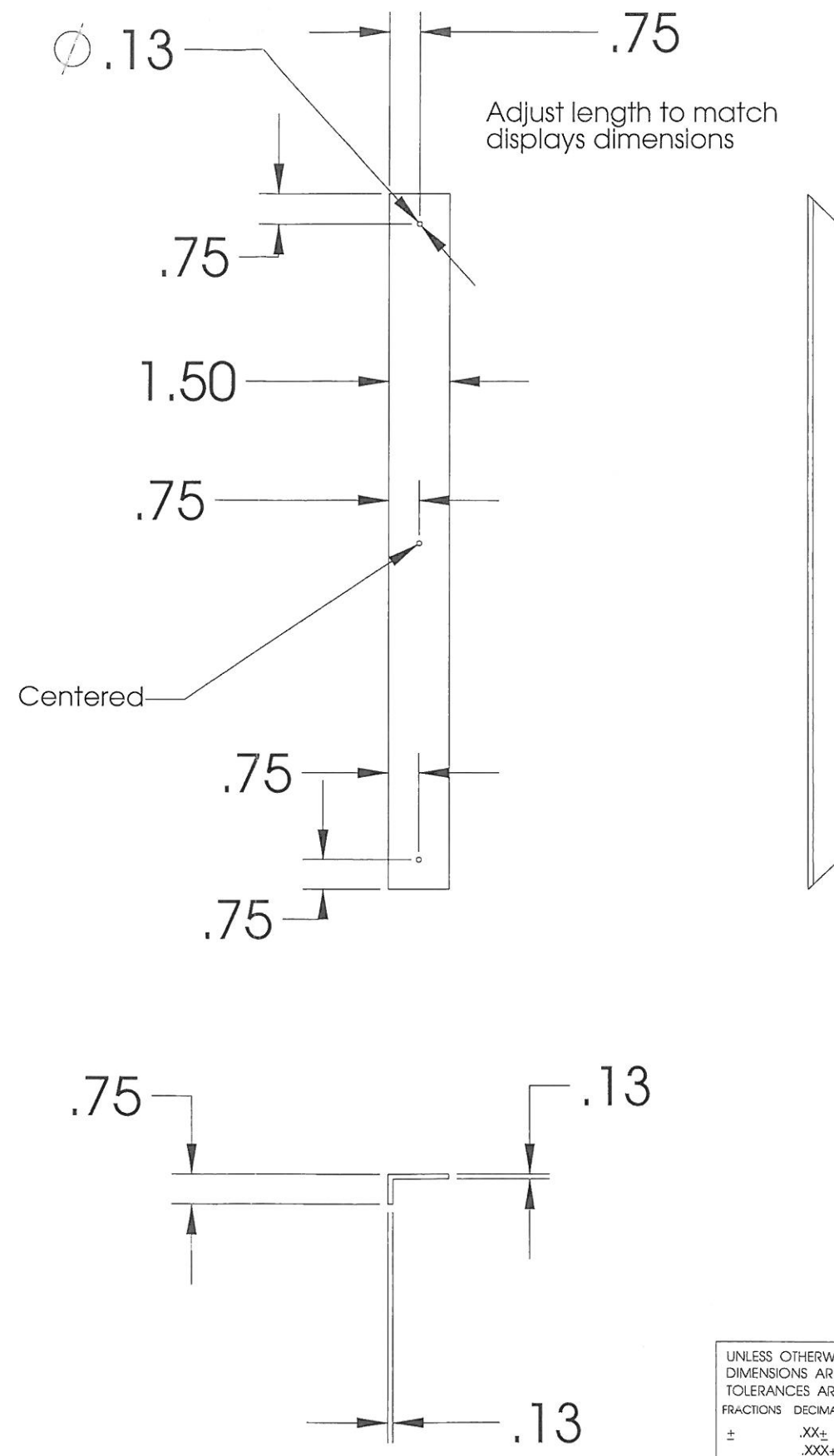
UNLESS OTHERWISE SPECIFIED DIMENSIONS ARE IN INCHES TOLERANCES ARE:	CAD GENERATED DRAWING. DO NOT MANUALLY UPDATE		Bally Design Inc. 424 North Craig Street Pittsburgh PA 15213		tel. 412-621 9009 fax. 412-621 9030
	FRACTIONS	DECIMALS	ANGLES	APPROVALS	DATE
±	.XX± .XX	+ ₋ 1	DRAWN		
	.XXX±.XXX		CHECKED		
MATERIAL	M4*13 I-beam 1/4 thick steel		RESP ENG		
FINISH	galvanized		MFG ENG		
DO NOT SCALE DRAWING	QUAL ENG				
			SIZE	DWG. NO.	REV.
			B		
			SCALE	CAD FILE:	SHEET 1 OF 1

Lower I-beam

Aluminum Angle - 6061-T6

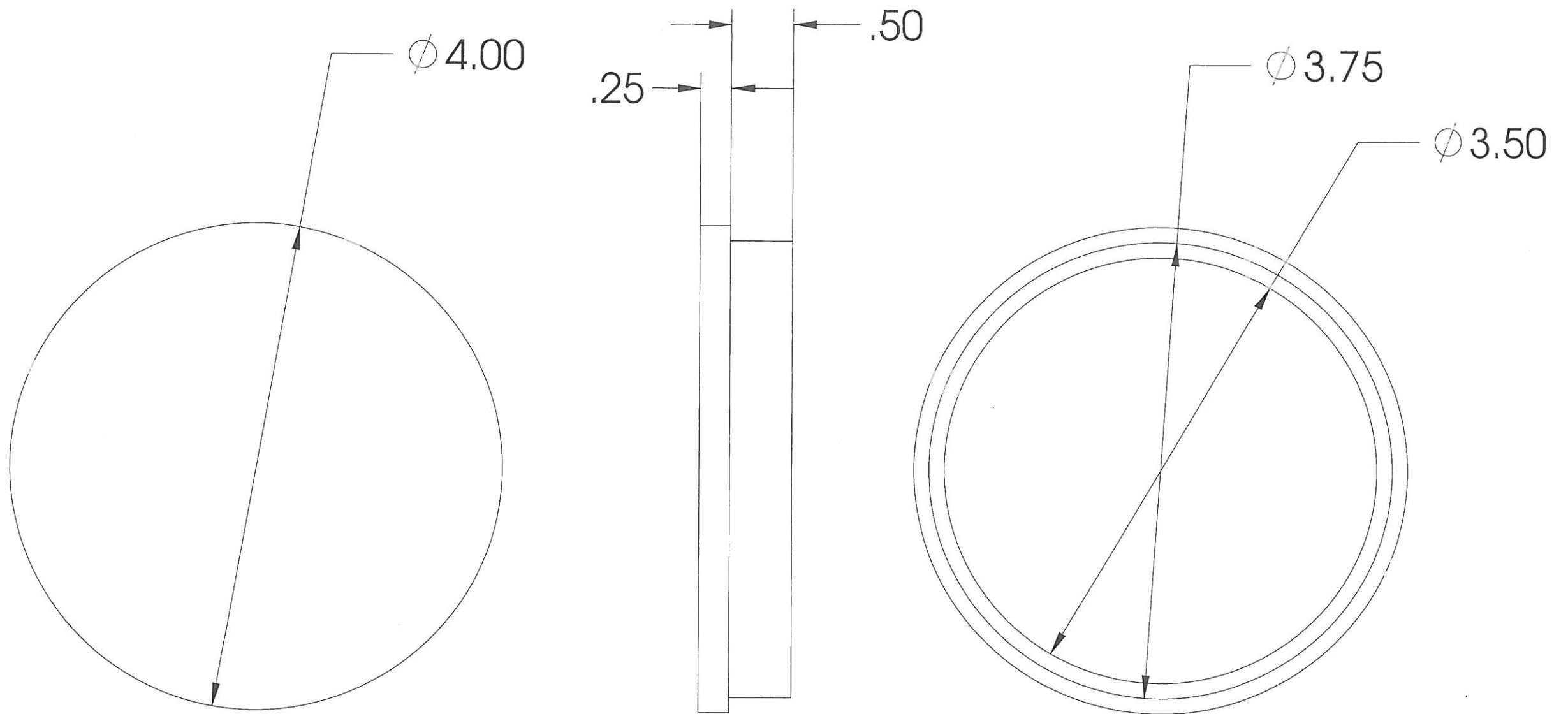


Aluminum Angle - 6063-T52



SCALE 1:4

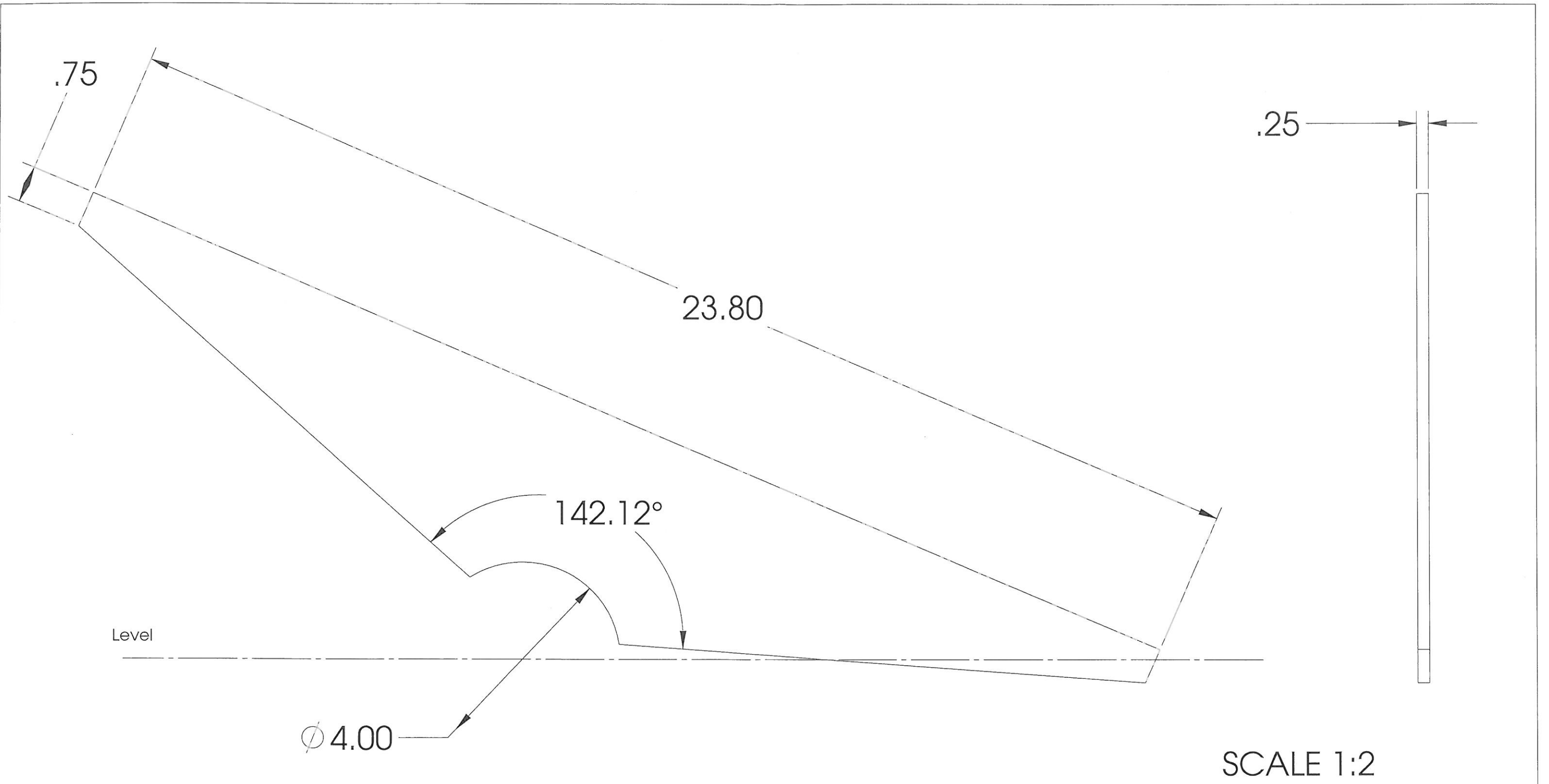
UNLESS OTHERWISE SPECIFIED DIMENSIONS ARE IN INCHES TOLERANCES ARE: FRACTIONS DECIMALS ANGLES ± .XX ± .XX +_ 1 .XXX ± .XXX	CAD GENERATED DRAWING, DO NOT MANUALLY UPDATE		Bally Design Inc. 424 North Craig Street Pittsburgh PA 15213 tel. 412-621 9009 fax. 412-621 9030
	APPROVALS	DATE	
MATERIAL Aluminum Angle	DRAWN	CHECKED	Aluminum angles
FINISH	RESP ENG	MFG ENG	
DO NOT SCALE DRAWING	QUAL ENG		SIZE DWG. NO. B SCALE CAD FILE: SHEET 1 OF 1



In order to lock the cap, drill hole through the cap and pipe, and rivet them together. Make sure that the hole is underneath the pipe.

SCALE 1:1

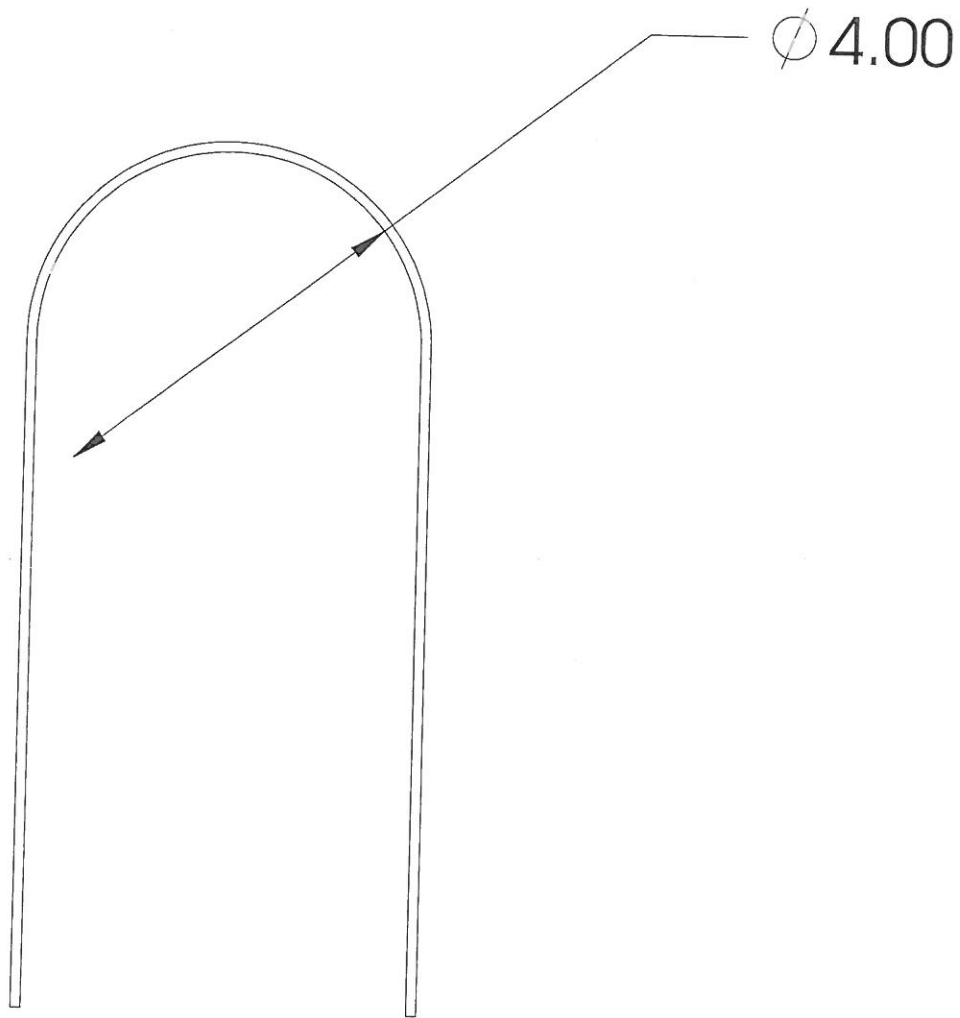
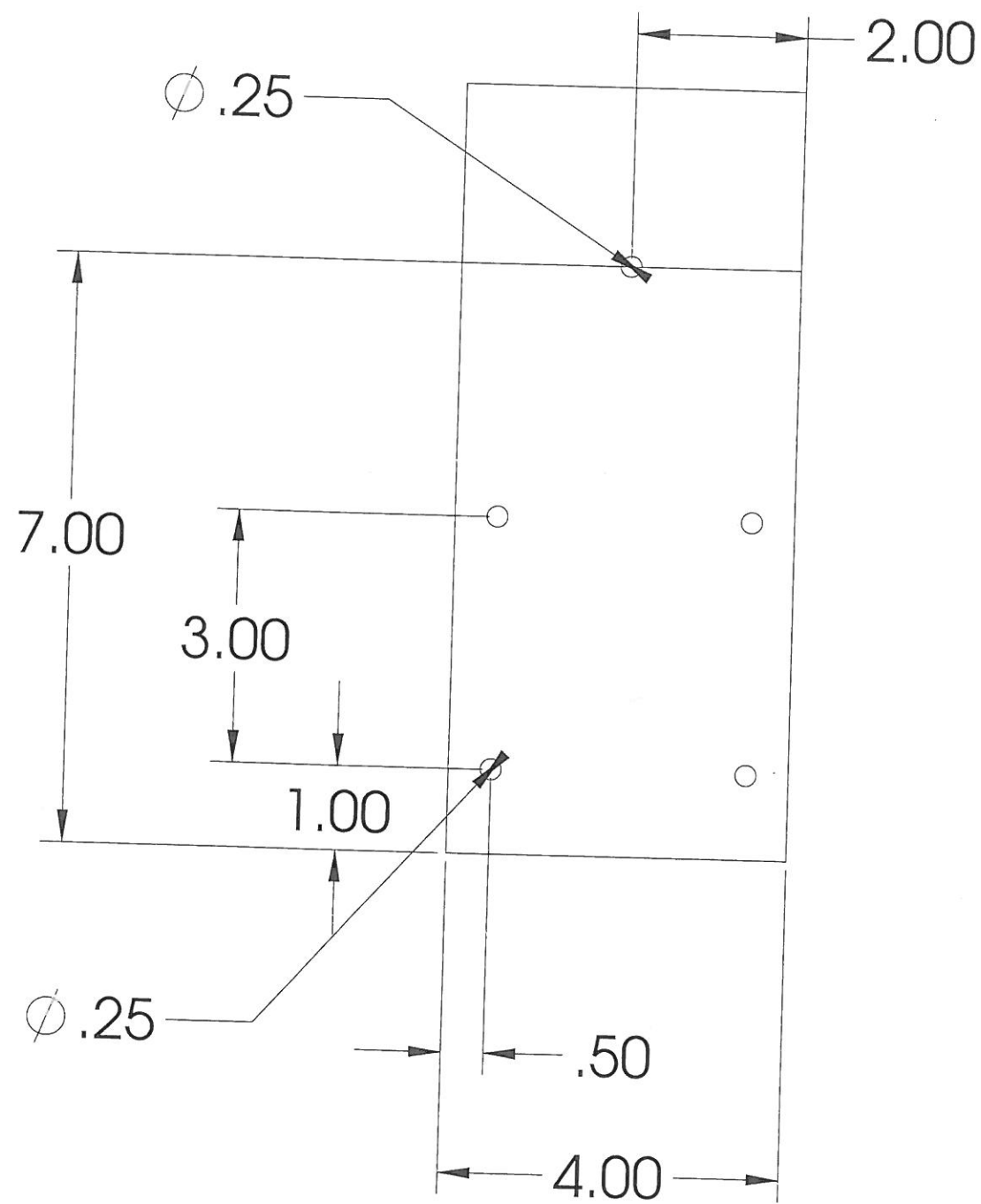
UNLESS OTHERWISE SPECIFIED DIMENSIONS ARE IN INCHES TOLERANCES ARE:		CAD GENERATED DRAWING, DO NOT MANUALLY UPDATE		Bally Design Inc. 424 North Craig Street Pittsburgh PA 15213		tel. 412-621 9009 fax. 412-621 9030
FRACTIONS	DECIMALS	ANGLES	APPROVALS	DATE		
\pm	.XX± .XX	+ ₋ 1	DRAWN			
	.XXX± .XXX		CHECKED			
MATERIAL	steel		RESP ENG			
FINISH	painted - aqua		MFG ENG			
DO NOT SCALE DRAWING			QUAL ENG			
SIZE B	DWG. NO.	REV.				
SCALE	CAD FILE:			SHEET 1 OF 1		



SCALE 1:2

UNLESS OTHERWISE SPECIFIED DIMENSIONS ARE IN INCHES TOLERANCES ARE:		CAD GENERATED DRAWING, DO NOT MANUALLY UPDATE		Bally Design Inc. 424 North Craig Street Pittsburgh PA 15213		tel. 412-621 9009 fax. 412-621 9030
FRACTIONS	DECIMALS	ANGLES	APPROVALS	DATE		
±	.XX± .XX	+ .1	DRAWN			
	.XXX±.XXX		CHECKED			
MATERIAL			RESP ENG			
FINISH			MFG ENG			
DO NOT SCALE DRAWING			QUAL ENG			
SIZE B	DWG. NO.		REV.			
SCALE	CAD FILE:		SHEET 1 OF 1			

Gusset



SCALE 1:2

UNLESS OTHERWISE SPECIFIED DIMENSIONS ARE IN INCHES TOLERANCES ARE:		CAD GENERATED DRAWING, DO NOT MANUALLY UPDATE		Bally Design Inc. 424 North Craig Street Pittsburgh PA 15213		tel. 412-621 9009 fax. 412-621 9030
FRACTIONS	DECIMALS	ANGLES	APPROVALS	DATE	Locking band	
±	.XX± .XX	+ .1 - .1	DRAWN			
	.XXX±.XXX		CHECKED			
MATERIAL	12 gage steel	RESP ENG				
FINISH	galvanized	MFG ENG			SIZE	DWG. NO.
DO NOT SCALE DRAWING		QUAL ENG			B	
					SCALE	CAD FILE:
						SHEET 1 OF 1